



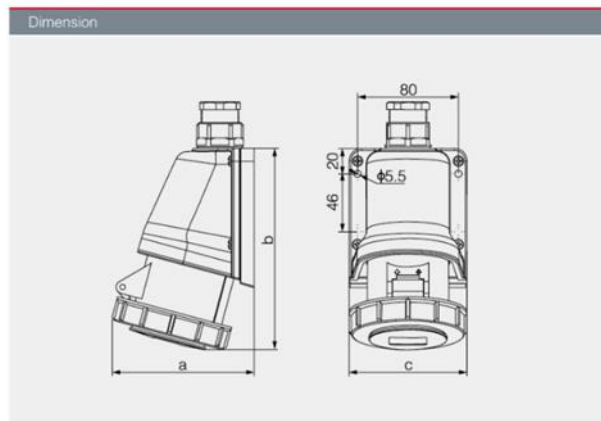
**Product Code**

**VP32505**



**16A 3P+N+E Angled Wall Socket IP67**

★ Rated current:16A
★ Rated voltage: 220-380V/240-415V
★ No. of poles:3P+N+E
★ Protection degree: IP67
★ Housing material: Flame Retardant PA6 RoHS Reach Contact: nickel-plated brass RoHS Reach
★ Standards: IEC60309-1, IEC60309-2
★ Certificates: S,CB,CE,TUV,ISO9001:2008,RoHS,REACH



Current	16A			32A		
Pole	3	4	5	3	4	5
a	101	104	107	114	114	116
b	150	150	151	162	162	163
c	93.5	93.5	93.5	93.5	93.5	93.5
Cable size(mm <sup>2</sup> )	1.5~4			2.5~10		

